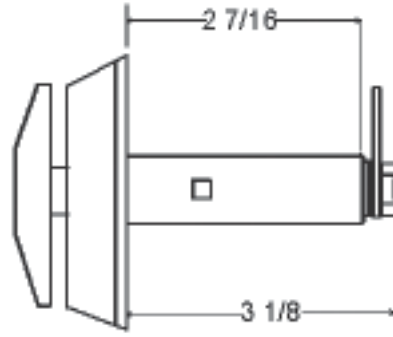
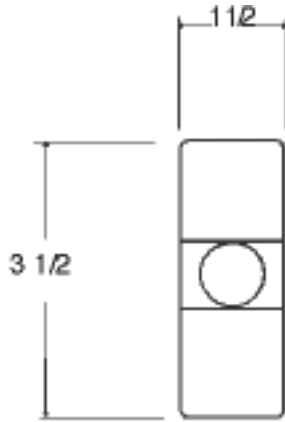


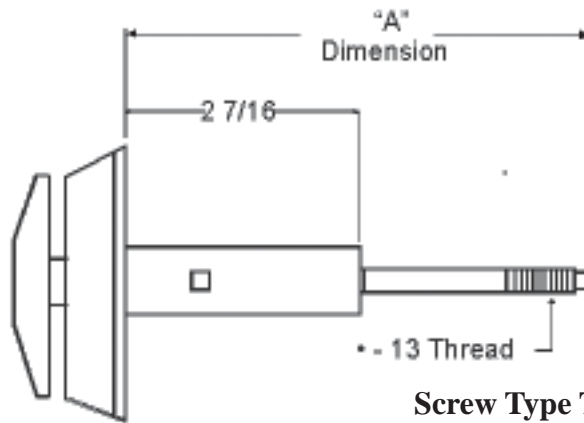
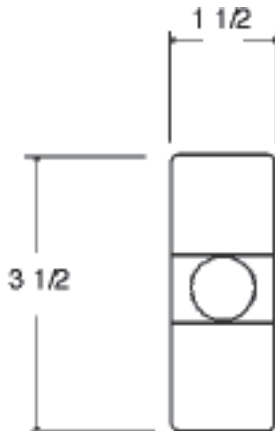
T-Handles

Locking Systems International Inc. is capable of the design and manufacture of different styles and types of T-Handles. Some have a 90 degree rotation and others rotate 360 degrees (screw type). They are constructed of zinc die cast, however they can be made of other metals such as stainless steel.

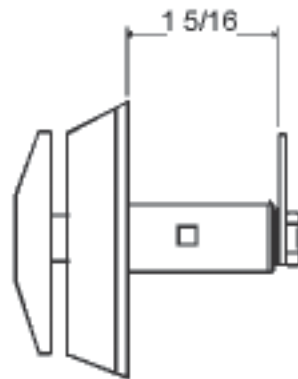
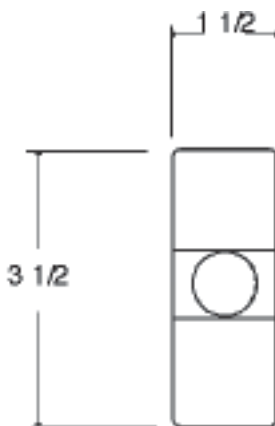
Below you will find some of the sizes that we currently manufacturer.



Quarter-Turn Handles



Screw Type T-Handles



Short Body Quarter-Turn T-Handles