

ML Series

General Specifications



Lock Chassis – Cold rolled steel with zinc dichromate finish for corrosion resistance. Latch retractor is precision cast steel. Requires standard 2-1/8" (53.97mm) bore through door.

OverDrive™ – Freewheeling lever action occurs when latch retraction mechanism disengages from lever handle when handle is locked. Built-in stops in the rose insert prevent lever from traveling beyond approximately 57 degrees. Additional 40% spring power in rose insert on OverDrive™ side of door ensures that lever handle returns to horizontal position.

Backset – 2-3/4" (69.85mm) backset standard, 3-3/4" (95.25mm) available. Also available with 5" (127mm) backset when used in conjunction with H Series latch.

Door Thickness – 1-3/8" (34.92mm) to 1-3/4" (44.45mm) standard (supplied with 4 mounting plates).

Latch – Brass with 1/2" (12.7mm) throw. Latch housing is steel, zinc dichromate finish for corrosion resistance. 7/8" (22.225mm) diameter bore in edge of door required. Supplied with #K-179 sleeve for use with existing 1" (25.40mm) holes.

Latch front – Brass, bronze. 2-1/4" (57.15mm) x 1-1/8" (28.57mm), beveled UL latches are standard. Available with 1" (25.40mm) flat fronts for 2-3/8" (60.32mm) backset, or 1" (25.40mm) beveled fronts for 2-3/4" (69.85mm) backset.

Strike – Brass, bronze or stainless steel. ANSI A115.2, 4-7/8" (123.82mm) x 1-1/4" (31.75mm) curved lip or 2-3/4" (69.85mm) x 1-1/8" (28.57mm) "T" strike standard. All strikes have 1-1/4" (31.75mm) lip to center dimension. Box strikes available.

Handing – Non handed.

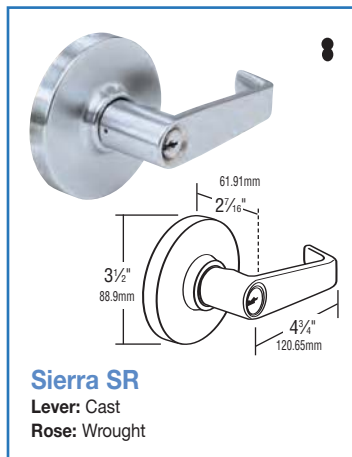
Mounting – Thru-bolts within 2-1/8" (53.97mm) cross bore. Contains two support plates which secure to face of door as well as accept thru-bolts from inside rose assembly.

Cylinder, Standard – Solid brass, 6 pin cylinder with Arrow "A" keyway. Can be masterkeyed, grandmaster keyed and construction masterkeyed. Conventional cylinders are also available in a variety of competitive manufacturer's keyways. Supplied with two 6 pin nickel silver keys.

Cylinder Options – Lockset prepared to use with 6 or 7 pin interchangeable core. Supplied less core, but packed with tailpiece. Will also accept cores manufactured by Best™, Falcon™, Medeco Keymark™, ASSA™, and others. Suffix "IC" to indicate small format interchangeable core, or "LFIC" (SR design only) to indicate Medeco or ASSA High Security large format interchangeable core. Temporary Arrow small format construction cores are also available.

LFIC – Sierra SR available to accept large format interchangeable core.

Packaging – 10 per case.



ML Series Lever Designs

Matching trim available to complement other series of cylindrical locks, BM Series mortise locks, exit devices and alarms.

Finish

US3, US4, US10, US10B, US26, US26D. Consult factory for the availability of other finishes.

Certification & Compliance

- ANSI/BHMA A156.2, Series 4000, Grade 2
- Underwriters Laboratories (UL and CUL) listed for use on 3 hour, A label single swinging doors
- Federal Specification FF-H-106C
- ANSI A117.1 Accessibility Code
- California State Reference Code—for levers returning to within 1/2" (12.7mm) of door surface



OverDrive™ will allow a locked lever to rotate freely without retracting the latch, improving the life and performance of Arrow locksets.